

SARIX[®] MODULAR CAMERA

3 MP

5 MP

5-YEAR WARRANTY

The Sarix[®] Modular camera is Pelco's smallest and most discreet video security solution with built-in analytic capabilities. Specifically designed for areas with limited space or that require an unobtrusive monitoring solution, such as ATMs, police interview rooms, retail checkout counters, building entrances or casino gaming tables. The camera's adjustable imager modules can be used together or separately, and can be flexibly positioned in different locations and orientations to help capture the most optimal view of people or scenes of interest. Equipped with Pelco Smart Analytics, powered by Motorola Solutions, this camera helps to detect critical events and increase your security teams' productivity by expediting real-time responses and forensic investigations.



FEATURES



SMART ANALYTICS, POWERED BY MOTOROLA SOLUTIONS

Detects and classifies more objects for greater accuracy and faster responses, even in crowded scenes.



H.264 & H.265 WITH SMART COMPRESSION TECHNOLOGY

Optimizes compression levels for regions in a scene to help maximize bandwidth savings and keep storage costs down.



WIDE DYNAMIC RANGE

Captures high-quality image details in scenes with dark and light backgrounds.



ONVIF[®] COMPLIANT

ONVIF Profile S, G and T compliance allows for easy integration with existing ONVIF infrastructures. Integrated with Pelco VideoXpert and other leading video management systems. ONVIF is a trademark of Onvif, Inc.



LOW-PROFILE & EASY-TO-INSTALL

Reduce installation times with lightweight, interchangeable form factors that can be mounted in practically any setting, including tight spaces and discreet applications such as behind false walls or ceilings.



DUST & WATER RESISTANCE¹

IP66 rating for resistance from dust and water.



CUSTOMIZABLE DESIGN

One or two imager modules can be connected to the main unit. Imager module options provide for flexibility to meet custom use case requirements. Imager modules connect to the main processor unit by detachable cables and establish an encrypted high speed connection. Imager modules can be mounted in a variety of orientations and discreet locations to help capture the most optimal coverage of people or scenes of interest.

¹Available on Micro Bullet imager module only

SPECIFICATIONS - MAIN UNIT

| IMAGE CONTROL AND PERFORMANCE | | |
|--|-------------------------------------|---|
| Image Compression Method | | H.264 Pelco Smart Compression, H.265 Pelco Smart Compression, Motion JPEG |
| Bandwidth Management | | Pelco Smart Compression technology; Idle scene mode |
| Streaming | | Multi-stream H.264, Multi-stream H.265, Motion JPEG, Pelco Smart Compression |
| Max Image Rate (Based on combined resolution of one or two imagers) | High Frame Rate: (50 Hz/60 Hz) | (≤ 6 MP) 25 fps/30 fps (8 MP) 25 fps/24 fps (10 MP) 20 fps/24 fps |
| | Full Feature Mode: (50 Hz/60 Hz) | (≤ 5 MP) 25 fps/30 fps (6 MP) 25 fps/24 fps (8 MP) 20 fps/20 fps (10 MP) 12.5 fps/15 fps |
| Dynamic Range | | Up to 120 dB |
| Motion Detection | | Pixel motion; Selectable sensitivity and threshold. Classified object detection |
| Sabotage Detection | | Yes |
| Electronic Shutter Control | | Automatic, Manual (1/7.5 to 1/8000 sec) |
| Flicker Control | | 60 Hz, 50 Hz |
| White Balance | | Automatic, Manual |
| Backlight Compensation | | Adjustable |
| Privacy Zones | | Up to 64 zones |

| AUXILIARY | |
|--------------------------|---|
| Audio Compression Method | G.711 PCM 8 kHz, Opus |
| Audio Input/Output | Line level input and output |
| External I/O Terminals | Alarm In: Digital input for connecting an external input sensor (for example, a motion detector); Alarm Out: Digital output for controlling an external output device (for example, a siren) |

| NETWORK | |
|-----------------------------|---|
| Network | 100BASE-TX |
| Cabling Type | CAT5E cabling for PoE Coaxial cabling for imager modules |
| Connector | RJ-45 for PoE HD BNC for imager modules |
| ONVIF | ONVIF compliance Profile S, Profile T, Profile G, and Profile M (www.onvif.org) |
| Security | Password protection, HTTPS encryption, digest authentication, WS authentication, user access log, 802.1x port based authentication, FIPS 140-2 L1 (with optional camera license), FIPS 140-2 L3 (with optional accessory) |
| Protocols | IPv4, IPv6, HTTP, HTTPS, SOAP, DNS, NTP, RTSP, RTCP, RTP, TCP, UDP, IGMPv2, ICMP, DHCP, Zeroconf, ARP |
| Streaming Protocols | RTP/UDP, RTP/UDP multicast, RTP/RTSP/TCP, RTP/RTSP/HTTP/TCP, RTP/RTSP/HTTPS/TCP, HTTP |
| Device Management Protocols | SNMP v2c, SNMP v3 |

| PERIPHERALS | |
|-----------------|--|
| Onboard Storage | 2 x microSD/microSDHC/microSDXC slots - video speed class card required. Class V10 or better recommended. One of the two SD card slots is available for onboard storage. |

| MECHANICAL | | |
|-----------------------|-------------------------------|--|
| Dimensions (LxWxH) | Body Only | 105 mm x 123 mm x 34 mm; 4.13 " x 4.84 " x 1.34 " |
| | Including HD BNC Connector | 114 mm x 123 mm x 34 mm; 4.50 " x 4.84 " x 1.34 " |
| Weight | 0.517 kg (1.14 lbs) | |

MECHANICAL

| | |
|---------|---------------------------|
| Body | Aluminum |
| Housing | Stainless steel (bracket) |
| Finish | Black |

ELECTRICAL

| | |
|--------------------|---|
| Power Consumption | 13 W Max |
| Power Source | VDC: 12 V +/-10%, 11.5 W min PoE: IEEE 802.3af Class 3 compliant |
| Power Connector | 2-pin terminal block |
| RTC Battery Backup | 3V manganese lithium |

ENVIRONMENTAL

| | |
|-----------------------|------------------------------------|
| Operating Temperature | -10 °C to +60 °C (14 °F to 140 °F) |
| Storage Temperature | -10 °C to +70 °C (14 °F to 158 °F) |
| Humidity | 0 - 100% RH |

CERTIFICATIONS

| | |
|---------------------------|---|
| Certifications/Approvals | UL, cUL, CE, UKCA, ROHS, RCM, BIS |
| Safety | UL 62368-1, CSA 62368-1, IEC/EN 62368-1 |
| Electromagnetic Emissions | FCC Part 15 Subpart B Class A, ICES-003 Class A, EN 55032 Class A, EN 61000-3-2, EN 61000-3-3 |
| Electromagnetic Immunity | EN 55035, EN 61000-6-1 |
| Environmental | IEC 60068-2-27, IEC 60068-2-6, IEC 60068-2-14, IEC 60068-2-1, IEC 60068-2-2 |

SPECIFICATIONS - IMAGER

| IMAGE PERFORMANCE | | 3.0 MP | 5.0 MP |
|---------------------------|-------------------|---|---|
| Image Sensor | | 1/2.7 " Progressive Scan | 1/2.7 " Progressive Scan |
| Imaging Area (H x V) | | 5.4 mm x 3.9 mm; 0.213 " x 0.154 " | |
| Max Image Rate | | (50 Hz/60 Hz): 25 fps/30 fps | |
| Streaming Resolutions | Primary Stream: | Right Angle: 2128 x 1368, 1920 x 1080, 1360 x 2128, 1088 x 1920 Micro Bullet: 2128 x 1536, 1920 x 1080, 1536 x 2128, 1088 x 1920 | Micro Bullet: 2688 x 1944, 2128 x 1536, 2560 x 1440, 1920 x 1080, 1952 x 2688, 1536 x 2128, 1440 x 2560, 1088 x 1920 |
| | Secondary Stream: | Right Angle: 1248 x 800, 832 x 536, 672 x 432, 528 x 336, 400 x 256 1280 x 720, 720 x 480, 640 x 360, 512 x 288, 384 x 216 800 x 1248, 528 x 832, 432 x 672, 336 x 528, 256 x 400 720 x 1280, 480 x 720, 368 x 640, 288 x 512, 240 x 424 Micro Bullet: 1248 x 904, 832 x 600, 672 x 480, 528 x 384, 400 x 288 1280 x 720, 720 x 480, 640 x 360, 512 x 288, 384 x 216 912 x 1248, 608 x 832, 480 x 672, 384 x 528, 288 x 400 720 x 1280, 480 x 720, 368 x 640, 288 x 512, 240 x 424 | Micro Bullet: 1248 x 904, 832 x 600, 672 x 480, 528 x 384, 400 x 288 1280 x 720, 720 x 480, 640 x 360, 512 x 288, 384 x 216 912 x 1248, 608 x 832, 480 x 672, 384 x 528, 288 x 400 720 x 1280, 480 x 720, 368 x 640, 288 x 512, 240 x 424 |
| Dynamic Range | WDR Off: | Up to 82 dB | |
| | WDR On: | Up to 120 dB | |
| 3D Noise Reduction Filter | | Yes | |

| LENS | RIGHT ANGLE | MICRO BULLET |
|---------------------------------|-------------------------------|--------------|
| Lens | 3.7 mm fixed pinhole aperture | 2.8 mm fixed |
| Minimum Illumination | 0.1 lux | |
| Horizontal Angle of View (HFOV) | 92 ° | 110 ° |
| Vertical Angle of View (VFOV) | 53 ° | 80 ° |
| Max Aperture | F2.5 | F2.0 |
| Control | Fixed | |

| IMAGE CONTROL | |
|----------------------------|---|
| Electronic Shutter Control | Automatic, Manual (1/7.5 to 1/8000 sec) |
| Iris Control | Fixed |
| Day/Night Control | Automatic, Manual |
| Flicker Control | 60 Hz, 50 Hz |
| White Balance | Automatic, Manual |
| Backlight Compensation | Adjustable |
| Privacy Zones | Up to 64 zones |

| CONNECTOR | |
|--------------|---------------|
| Cabling Type | Coaxial cable |
| Connector | HD BNC |

| MECHANICAL | | RIGHT ANGLE | MICRO BULLET |
|--------------------|----------------------------|--|---|
| Dimensions (LxWxH) | Imager Module Body Only | 45 mm x 25 mm x 20 mm; 1.77 " x 0.98 " x 0.79 " | 42 mm x 30 mm diameter; 1.65 " x 1.18 " diameter |
| | Including HD BNC Connector | 54 mm x 25 mm x 20 mm; 2.13 " x 0.98 " x 0.79 " | 50 mm x 30 mm diameter; 1.97 " x 1.18 " diameter |

| MECHANICAL | RIGHT ANGLE | MICRO BULLET |
|-------------------|---------------------|---------------------|
| Weight | 0.028 kg (0.06 lbs) | 0.043 kg (0.09 lbs) |
| Body | Aluminum | |
| Housing | Plastic | |
| Finish | Black | |

| ENVIRONMENTAL | RIGHT ANGLE | MICRO BULLET |
|-----------------------|-------------------------------------|---------------------|
| Operating Temperature | -30 °C to +60 °C (-22 °F to 140 °F) | |
| Storage Temperature | -10 °C to +70 °C (14 °F to 158 °F) | |
| Humidity | 0 - 100% RH | |
| Environmental | N/A | IP66 Rating |

ANALYTICS SPECIFICATIONS

SUPPORTED ANALYTICS EVENTS*

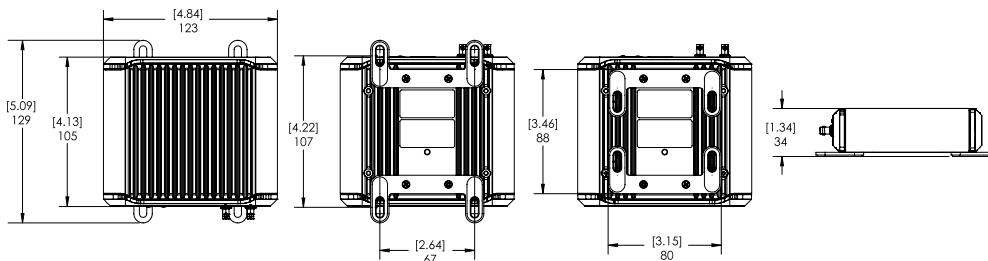
| | |
|-------------------------------|--|
| Objects in Area | The event is triggered when the selected object type moves into the region of interest. |
| Object Loitering | The event is triggered when the selected object type moves into the region of interest, then stays for an extended amount of time. |
| Objects Crossing Beam | The event is triggered when the specified number of objects have crossed the directional beam that is configured over the camera's field of view. The beam can be unidirectional or bidirectional. |
| Object Appears or Enters Area | The event is triggered by each object that enters the region of interest and can also be used to count objects. |
| Object Not Present in Area | The event is triggered when no objects are present in the region of interest. |
| Objects Enter Area | The event is triggered when the specified number of objects have entered the region of interest. |
| Objects Leave Area | The event is triggered when the specified number of objects have left the region of interest. |
| Object Stops in Area | The event is triggered when an object moves into a region of interest and then stops moving for the specified threshold time. |
| Direction Violated | The event is triggered when an object moves in the prohibited direction of travel. |
| Sabotage Detection | The event is triggered when the scene unexpectedly changes. |

*Pelco Smart Analytics powered by Motorola Solutions.

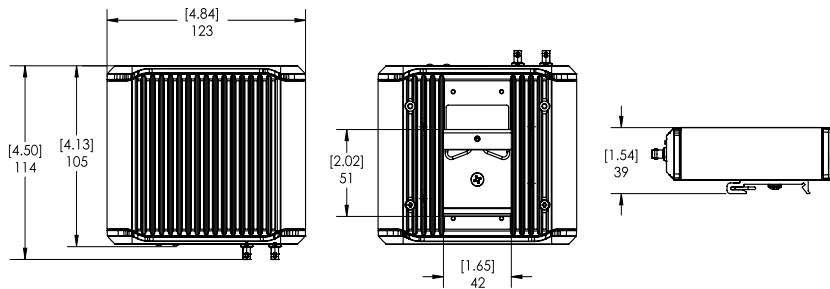
OUTLINE DIMENSIONS

| | |
|-------|--------|
| [X.X] | INCHES |
| X | MM |

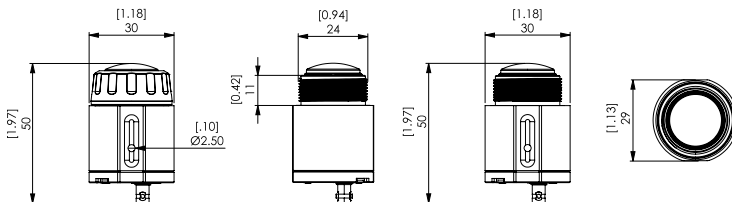
MAIN UNIT WITH BRACKET

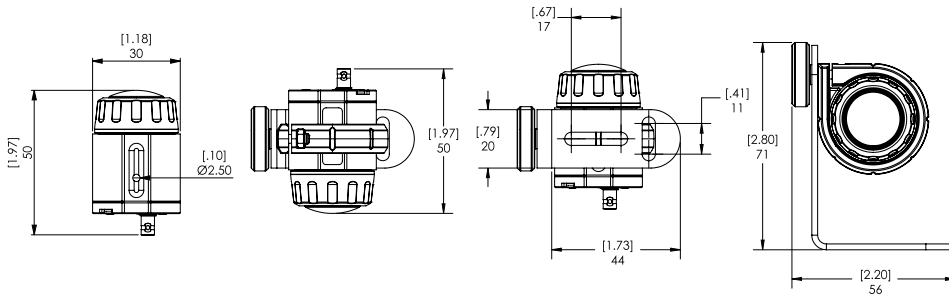


MAIN UNIT WITH DIN RAIL MOUNT (OPTIONAL)

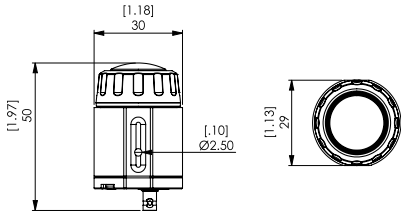


MICRO BULLET IMAGER WITH BRACKET

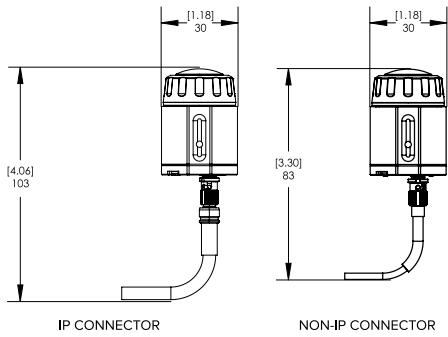




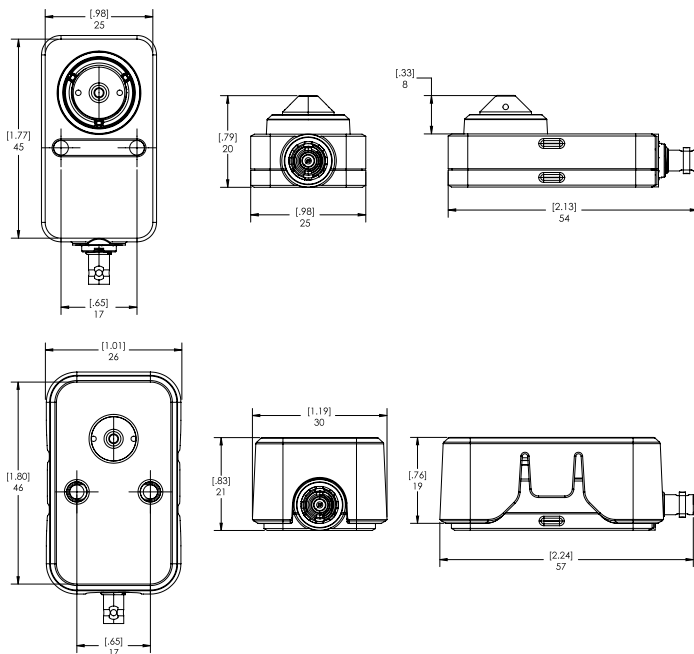
MICRO BULLET IMAGER WITH SIDE RAIL MOUNT

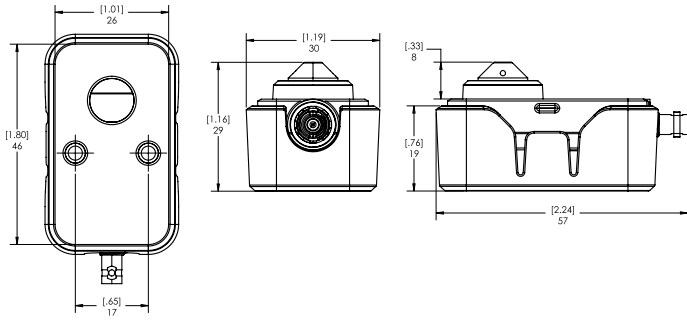


MICRO BULLET IMAGER WITH MIN. CABLE LENGTH

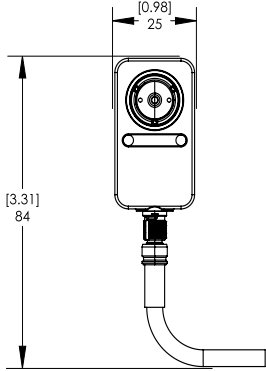


RIGHT ANGLE IMAGER WITH BRACKET








RIGHT ANGLE IMAGER WITH MIN. CABLE LENGTH



ORDERING INFORMATION

The variety of mounting options for the Sarix Modular provides maximum flexibility to combine different imager modules and cable configurations.

| MAIN UNIT | IMAGER MODULES | REQUIRED ACCESSORIES |
|--|---|---|
|  <p>Sarix Modular Camera Main Processor Unit (IDL0-PU2)</p> | <p>Order up to two imager modules per Main Unit, any combination of the following:</p> <div style="display: flex; justify-content: space-around; align-items: center;"> <div style="text-align: center;">  <p>Sarix Right Angle Imager (IDL303-PHI)</p> </div> <div style="text-align: center;">  <p>Sarix Micro Bullet Imager (IDLx02-FXI)</p> </div> </div> | <p>Order one cable for each imager module:</p> <ul style="list-style-type: none"> • CBL2M-1001 (2 m) • CBL5M-1001 (5 m) |

IMAGER MODULES

With the modular design of the Sarix Modular, either camera module can be connected to the Sarix Modular Camera Main Unit for maximum versatility and optimal installation.

| | FORM FACTOR | MP | WDR | ANALYTICS | LENS | IP66 |
|------------|--------------|-----|-----|-----------|-----------------------|------|
| IDL303-PHI | Right Angle | 3.0 | ✓ | ✓ | 3.7 mm, Fixed Pinhole | |
| IDL302-FXI | Micro Bullet | 3.0 | ✓ | ✓ | 2.8 mm, Fixed | ✓ |
| IDL502-FXI | Micro Bullet | 5.0 | ✓ | ✓ | 2.8 mm, Fixed | ✓ |

CAMERA MAIN UNIT

| DISPLAY PART NUMBER | DESCRIPTION |
|---------------------|--|
| IDL0-PU2 | Sarix Modular 2 Port Main Processor Unit |

CAMERA IMAGER

| DISPLAY PART NUMBER | DESCRIPTION |
|---------------------|---|
| IDL303-PHI | 3 MP Sarix Modular Pinhole Right Angle Imager |
| IDL302-FXI | 3 MP Sarix Modular Fixed Lens Micro Bullet Imager |
| IDL502-FXI | 5 MP Sarix Modular Fixed Lens Micro Bullet Imager |

CAMERA CABLES

| DISPLAY PART NUMBER | DESCRIPTION |
|---------------------|---|
| CBL2M-1001 | 2 m (6 ft) HD BNC Cable for Sarix Modular Imager |
| CBL5M-1001 | 5 m (16 ft) HD BNC Cable for Sarix Modular Imager |

OPTIONAL MOUNTING ADAPTERS

| DISPLAY PART NUMBER | DESCRIPTION |
|---------------------|--|
| BRKTMD-1001 | Din rail mount for Sarix Modular Main Processor Unit |
| BRKTMD-1011 | Replacement L Bracket for Micro Bullet Imager Sarix Modular |
| BRKTMD-1021 | Replacement Flat Bracket for Right Angle Imager Sarix Modular |
| BRKTMD-1031 | Replacement Trimming Bracket for Micro Bullet Imager Sarix Modular |

SUPPORT

Learn more and find additional documentation at pelco.com or email support@pelco.com for specific product support.



Jun 2023 | C5060-S | Rev 6

© 2022 - 2023, Motorola Solutions, Inc. All rights reserved. MOTOROLA, MOTO, MOTOROLA SOLUTIONS, and the Stylized M Logo are trademarks or registered trademarks of Motorola Trademark Holdings, LLC and are used under license. Pelco, the Pelco logo, and other trademarks associated with Pelco products referred to in this publication are trademarks of Pelco, Inc. or its affiliates. All other product names and services are the property of their respective companies. Product specifications and availability are subject to change without notice.